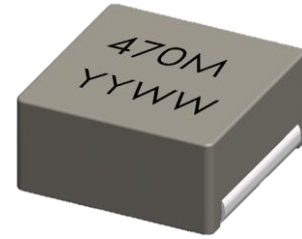


Features

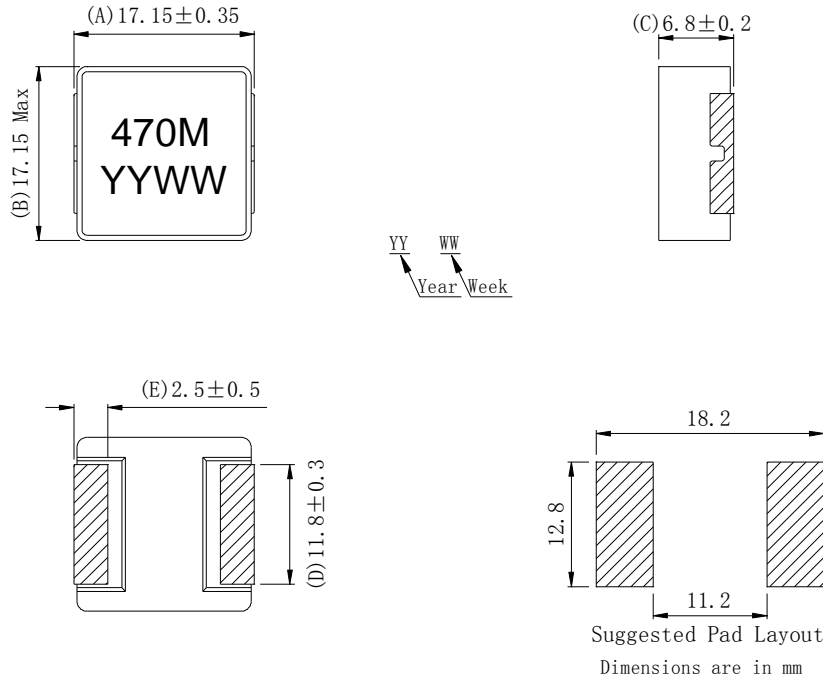
- Ⓢ RoHS compliant
- Ⓢ Magnetic shield construction
- Ⓢ Composite magnetic powder core
- Ⓢ Handle transient current spikes without saturation
- Ⓢ Ultra low buzz noise due to composite construction
- Ⓢ Moisture Sensitivity Level (MSL): 1
- Ⓢ AEC-Q200 Grade 0 qualified (- 55°C to +155°C ambient)
- Ⓢ Excellent temperature stability for inductance and saturation
- Ⓢ Operating temperature rang(Including temperature rise): -55°C to +155°C

Applications

- Ⓢ Airbag
- Ⓢ LED lighting
- Ⓢ High current power supplies
- Ⓢ ADAS, Infotainment system



Mechanical Dimensions (Units:mm)



Electrical Specifications

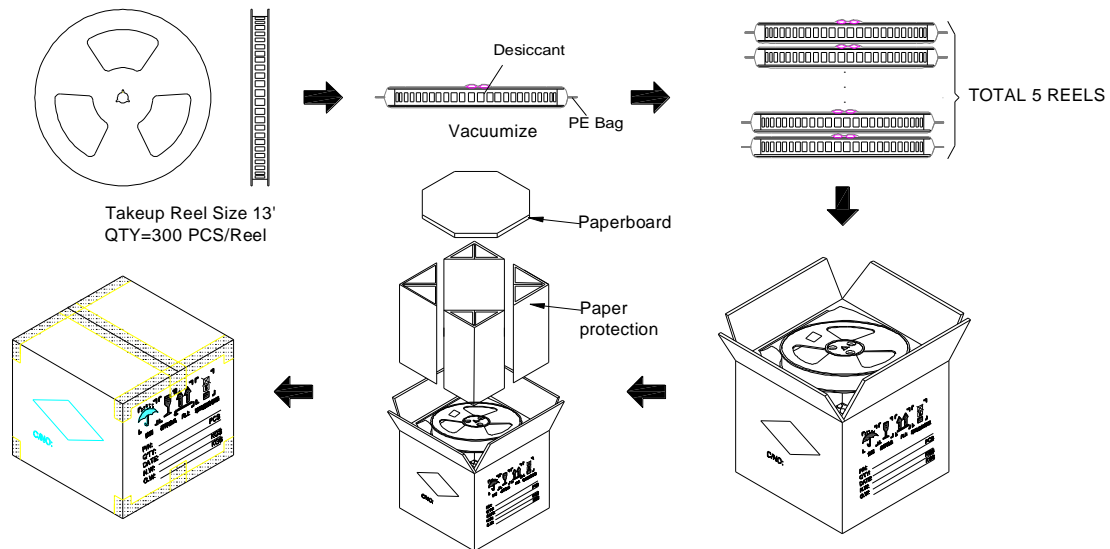
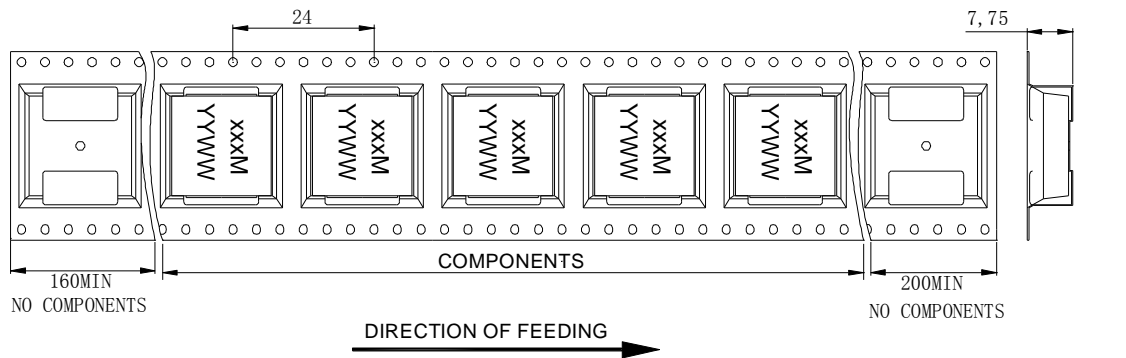
Part Number	L (μ H)	DCR (m Ω)		I _{rms} (A)	I _{sat} (A)
		Typ.	Max.		
MHAF1770SGR47M	0.47 ± 20%	0.90	1.08	60.0	80.0
MHAF1770SGR68M	0.68 ± 20%	1.25	1.50	55.0	70.0
MHAF1770SG1R0M	1.00 ± 20%	1.40	1.68	50.0	65.0
MHAF1770SG1R5M	1.50 ± 20%	1.85	2.22	45.0	50.0
MHAF1770SG2R2M	2.20 ± 20%	2.60	3.12	38.0	38.0
MHAF1770SG3R3M	3.30 ± 20%	3.80	4.56	34.0	35.0
MHAF1770SG4R7M	4.70 ± 20%	5.40	6.48	28.0	32.0
MHAF1770SG6R8M	6.80 ± 20%	7.10	8.52	23.0	27.0
MHAF1770SG8R2M	8.20 ± 20%	8.00	9.60	22.0	25.0

MHAF1770SG100M	10.0±20%	11.0	13.2	19.0	22.0
MHAF1770SG150M	15.0±20%	16.0	18.4	15.5	17.0
MHAF1770SG220M	22.0±20%	20.5	23.6	14.0	13.0
MHAF1770SG330M	33.0±20%	29.0	33.4	11.5	10.5
MHAF1770SG470M	47.0±20%	44.0	50.6	9.00	9.50
MHAF1770SG680M	68.0±20%	61.0	70.2	8.00	8.00
MHAF1770SG820M	82.0±20%	80.0	92.0	7.00	7.00
MHAF1770SG101M	100.0±20%	85.0	98.0	6.50	6.50

Notes:

1. All of the electrical specifications are test at 25°C, inductance test at 100KHz/0.25V.
2. Irms is the current that caused a approximate 40°C temperature rise from 25°C ambient.
3. Isat is the DC current at which inductance drop approximately 30% from its value without current.
4. The part temperature(ambient + temp.rise) should not exceed 155°C under worst case operating conditions. Circuit design,component placement,PCB trace size and thickness,airflow and other cooling provisions all affect the part temperature.Part temperature should be verified in the end application.
5. Due to product improvement, Product specificationsMay be changed discontinuously without advance notice.
Please contact with sales representatives or product engineers, and theMentech product approval sheet shall be obtained before ordering.

Packaging Specifications (Units:mm)



300Pcs/Reel	5Reels/Carton
	1500Pcs/Carton